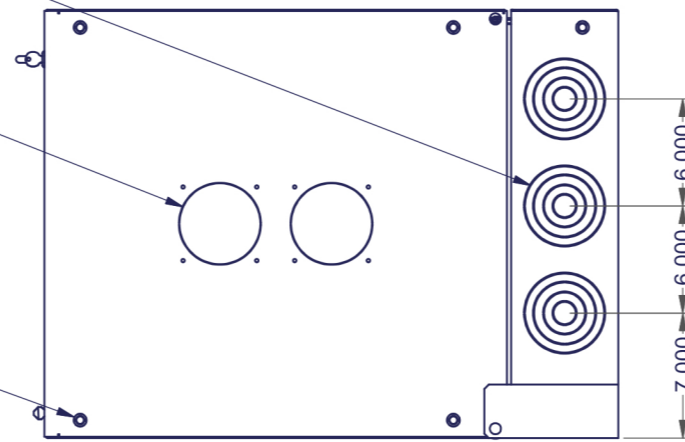


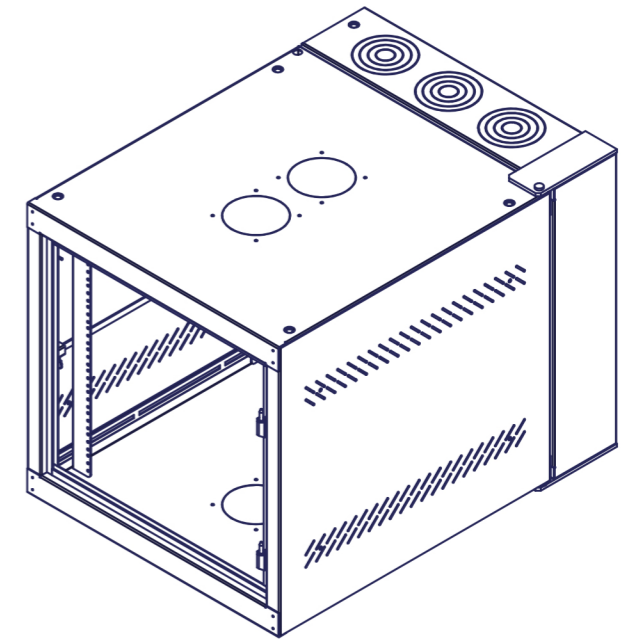
1", 2", 3", AND 4"
REAR SECTION NOMINAL
CONCENTRIC CONDUIT
KNOCKOUT

FAN KNOCKOUTS FOR
FAN ASSEMBLY LOCATED
ON TOP AND BOTTOM

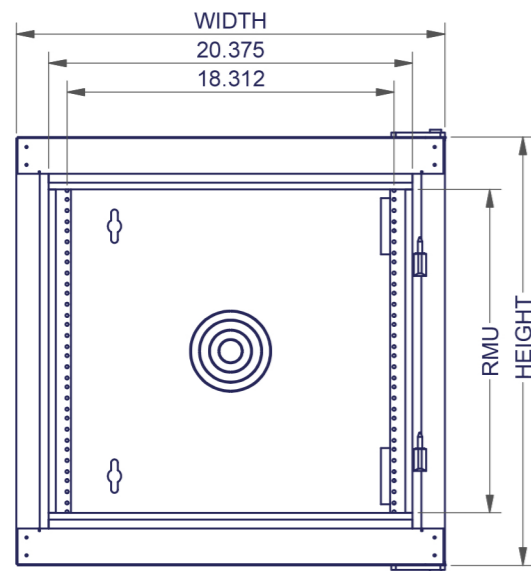
DIA. 1/2" - 13 THREADS
TOP AND BOTTOM
5 PLACES



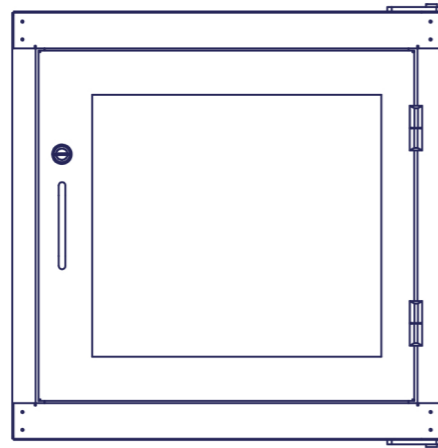
TOP VIEW



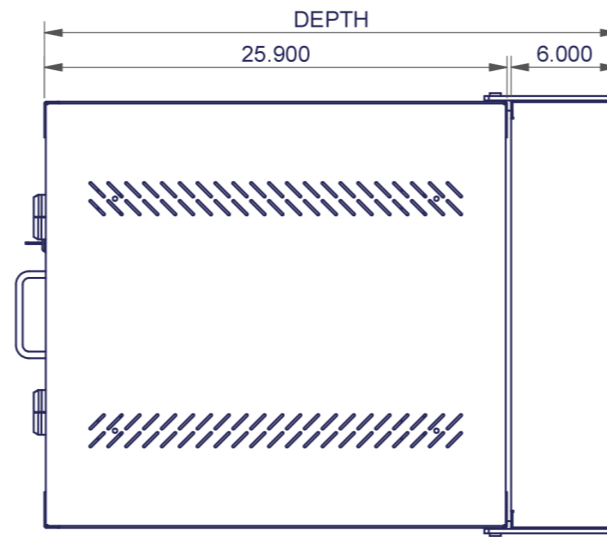
ISO COLLAPSED
(without Door)



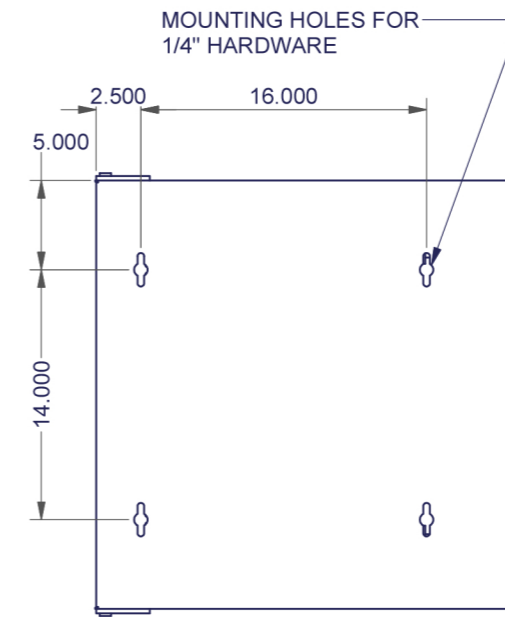
FRONT VIEW
(without Door)



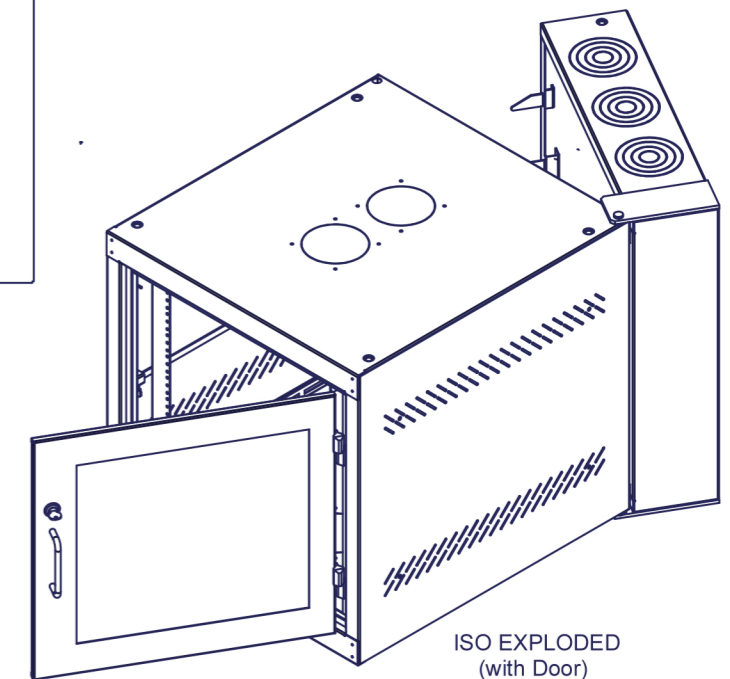
FRONT VIEW
(with Door)



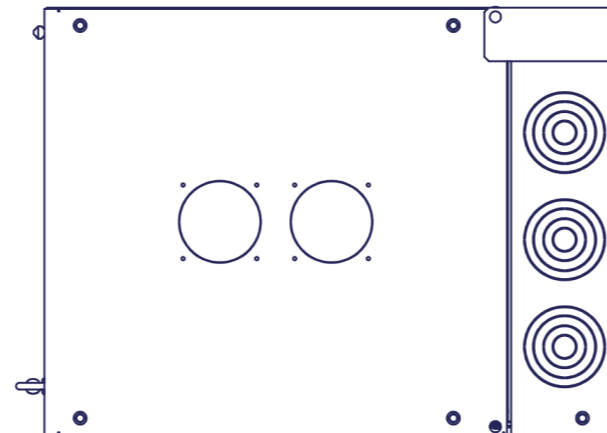
RIGHT SIDE VIEW



BACK VIEW



ISO EXPLODED
(with Door)



BOTTOM VIEW



THIRD ANGLE
PROJECTION

INTERPRET DRAWING PER ASME Y14.5M-1994
DIMENSIONAL LIMITS APPLY AFTER APPLICATION OF FINISH
DRAWING NOT TO SCALE
TOLERANCE UNLESS OTHERWISE NOTED:
ANGULAR +/- .18
.XXXX +/- .010
.XXX +/- .015
.XX +/- .030
X FOR REF. ONLY
UNLESS OTHERWISE SPECIFIED ALL DIMENSIONS ARE IN INCHES

NOTICE:

Use of this document is subject to a confidentiality and nondisclosure agreement with Rackit Technology Corporation (Rackit) and may not be reproduced, disclosed or utilized in whole or in part without prior written authorization from Rackit.

PART NUMBER: RCT-WSODP-xxx	
QTY PER UNIT: 1	
MATERIAL TYPE:	
MATERIAL GAUGE:	
FINISH: SEE NOTES	
DRAWN MZ	DATE 1/11/2011
CHECKED & APP. WSS	DATE 1/11/2011

Wallit Swing-Out DP	
Rackit Technology Corporation 3724 24th Street, Long Island City, NY 11101 Phone: (718) 729-1499 Fax: (718) 729-0212 E-mail support@rackittechnology.com	
DWG NO: I013250	REV 0
SHEET: 1 OF 1	